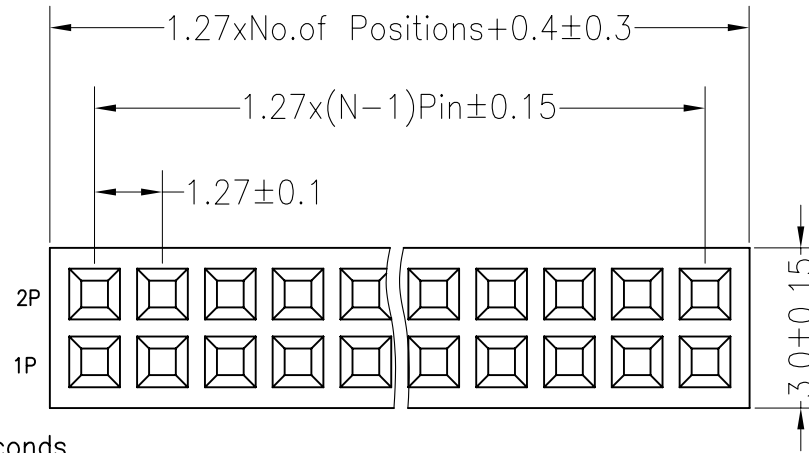


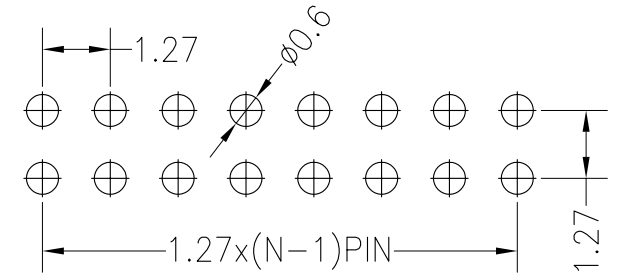
SPECIFICATIONS

Rated Current:1.0AMP
 Contact Resistance:20mΩ Max
 Withstand Voltage:500V AC/DC
 Insulation Resistance:1000MΩ Min
 Operation Temperature:-40°c to +105°c

Contact Material:Phosphor Bronze
 Contact Plating:Au or Sn Over Ni
 Insulator Material:Polyester(UL94V-0)
 Standard: PA6T
 Max.Processing Temp: 230°C for 30-60 seconds
 (260°C for 10 seconds)



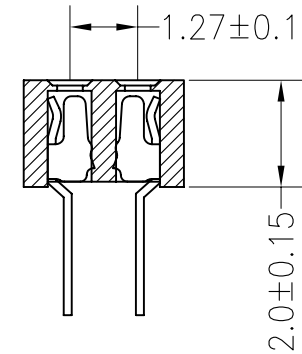
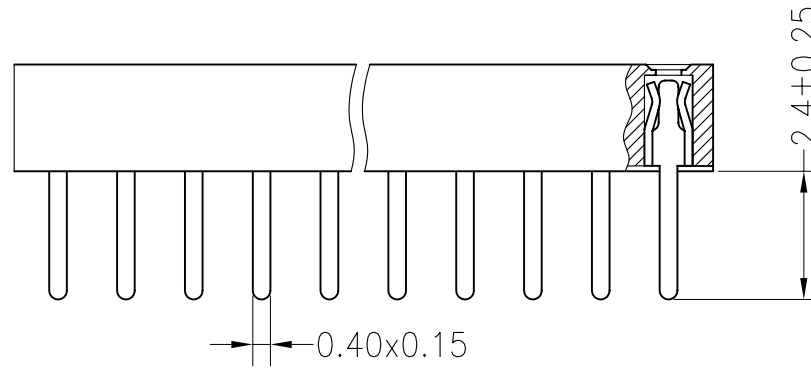
Recommended P.C.B Layout(Top Side)
 (PCB BOARD TOLERANCE±0.05)




Ordering Information

2420 -02 XX X N XX S U X 02

- No.of Pins Per Row 2*50
- Insulator Material Option: A=BK-PBT, B=BK-PA66, C=BK-PA6T, D=BK-PA46, F=BK-LCP
- Contact Plating: G0:Gold Flash, G2:5U" Gold, G3:10U" Gold, G4:15U" Gold, G5:30U" Gold, S0:Gold Flash/Tin, SN:Tin
- Packing: T=Tube, P=Tube+Cap, R=Reel+Cap, M=Reel+Mylar



				OPERATION		DRAW	Liu Miao	15.01.28	SCALE	FIT	 WFD CONN 深圳市旺富达电子有限公司 SHEN ZHEN WFD ELECTRONICS CO., LTD	
				X.X	±0.30				UNIT	mm		
				X.XX	±0.20	CHECK		SIZE	A4	PART NO.		242002XXXNXXSUX02
A0	2015.01.28	NEW DRAWING		X.XXX	±0.10	APPROVE		SHEET	1/1	TITLE:		1.27PF H2.00mm 2xNpin 180°
REV	DATE	MODIFICATION DESCRIPTION		CHANGE	DIM	TOL		PROJ.	