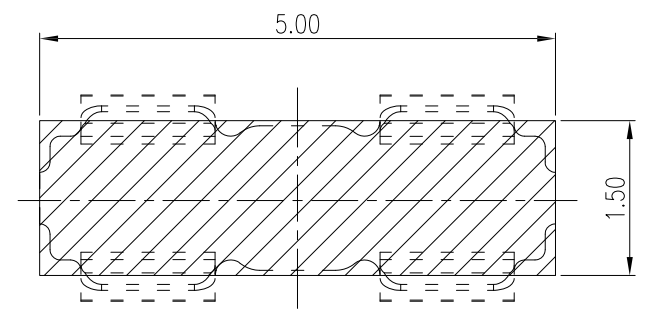
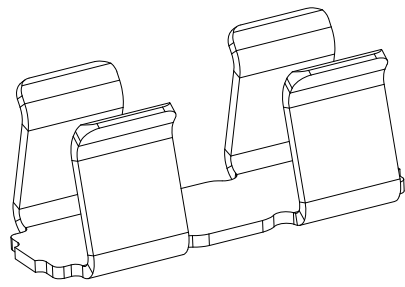
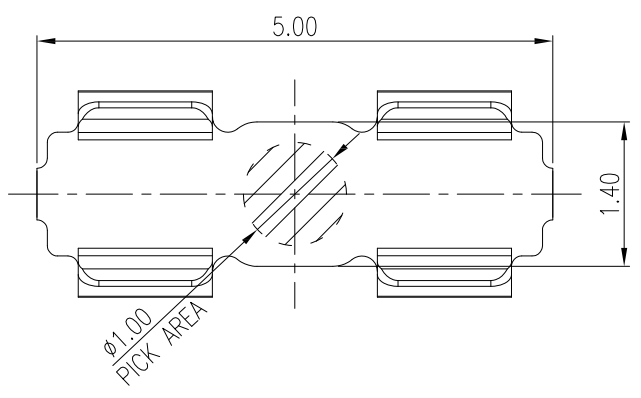
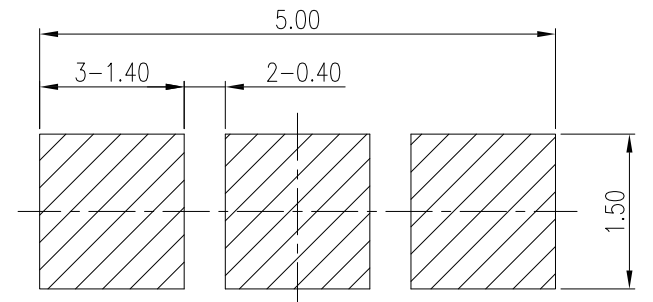
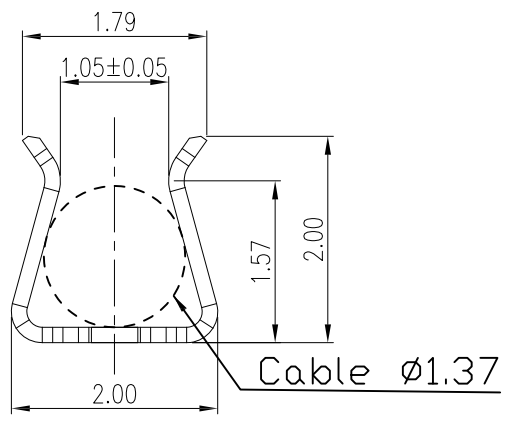
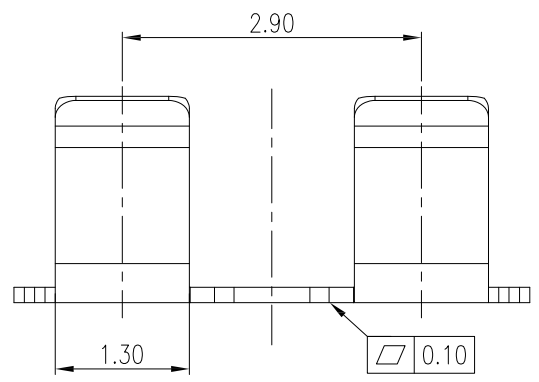


REV.	ECN. NO.	APPD.
A		LIU MIAO



RECOMMENDED PCB LAYOUT
TOLERANCE: ± 0.05



RECOMMENDED METAL MASK
THICKNESS: 0.10mm

NOTES:

- (1) MATERIAL: SUS301-1/2H, T=0.15mm
- (2) FINISH: MATTE Tin 80u" Min. PLATING OVER ALL, Ni 60u" Min. UNDER PLATING OVER ALL

Title: H2.0 CABLE CLAMP ($\phi 1.37$)		WFD _{CONN} 深圳市旺富达电子有限公司 SHEN ZHEN WFD ELECTRONICS CO., LTD	
MAT'L SEE NOTES		PART NO. 24.082A4-0001R0	
UNITS M/M		DWG NO. 24.082A4	
FINISH SEE NOTES		SCALE SHEET REV. 1:1 1/2 A	
X. ± 0.25	X* $\pm /$	APPD: DAVID	DR: LIU MIAO
.X ± 0.20	.X* $\pm /$	CHKD: SIMON	
.XX ± 0.15	.XX* $\pm /$		
.XXX $\pm /$.XXX* $\pm /$		