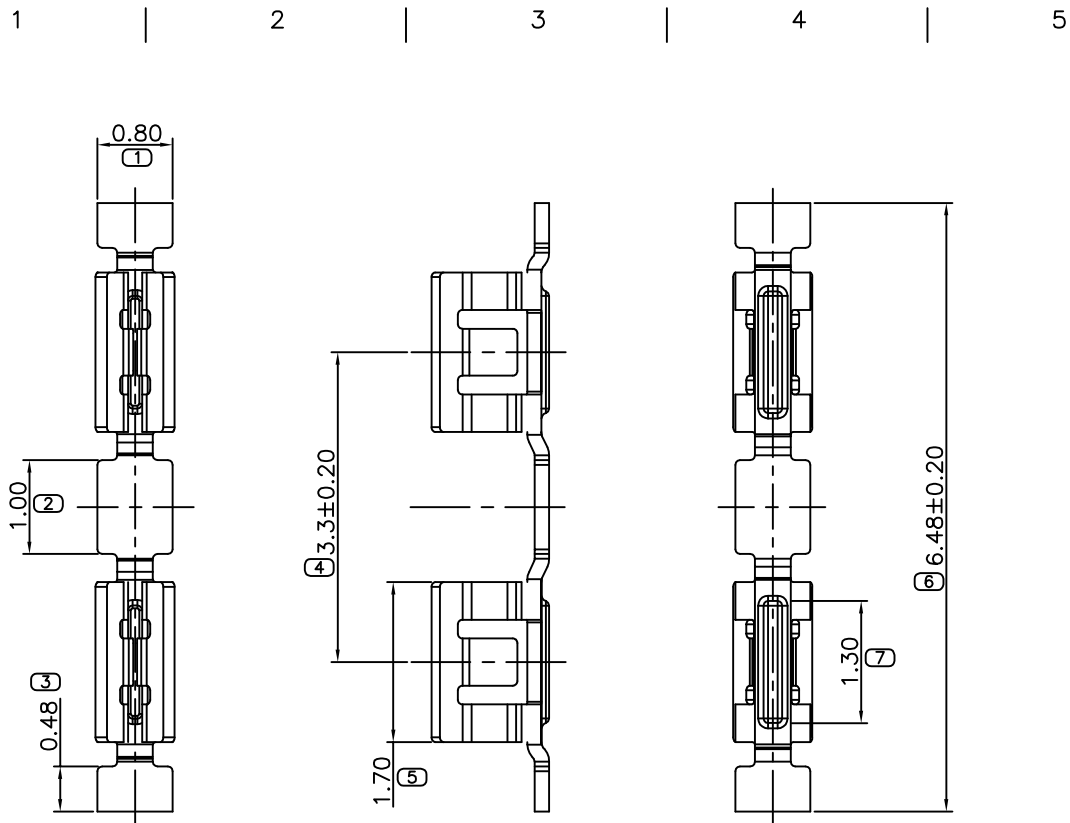
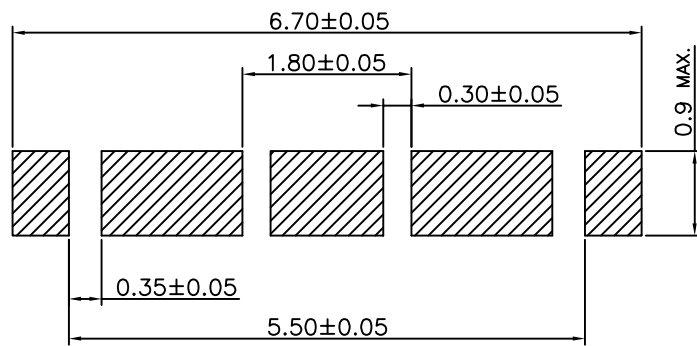


A4



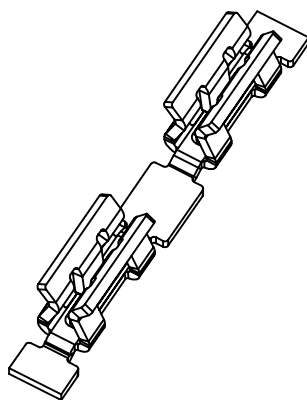
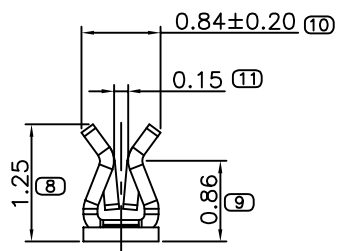
REV	ECN NO	DESCRIPTION	DATE	APPD
A		NEW RELEASE	2020.03.06	



RECOMMEND PCB LAYOUT

说明:  
NOTES:

1. 材料: 不锈钢SUS301-H, THICKNESS=0.15;  
MATERIAL: STAINLESS STEEL SUS301-H, THICKNESS=0.15;
2. 产品所有表面镀雾锡;  
FINISHED: Sn PLATED ALL OVER;
3. 产品用卷盘/载带包装, 一盘包装10000PCS;  
PACKING: REEL AND CARRY TAPE, Q' TY 10000PCS/REEL;
4. 产品适用屏蔽罩厚度:0.15mm  
AVAILABLE SHIELD CASE THICKNESS, 0.15mm.



TITLE		WFD <sub>CONN</sub> 深圳市旺富达电子有限公司 SHEN ZHEN WFD ELECTRONICS CO., LTD			
SHIELD CAN CLIP		UNIT	mm		
GENERAL TOLERANCE ①		MATERIAL	APPD	DAVID	DWG NO
DIMENSION		QTY	CHD	SIMON	P/N:
ANGLES		FINISHED	DRN	LIU MIAO	SHEET
0. ±0.50	0. ±3.0°				SCALE
.0 ±0.25	.0 ±2.0°				REV
.00 ±0.10	.00 ±1.0°				A
.000 ±0.05					